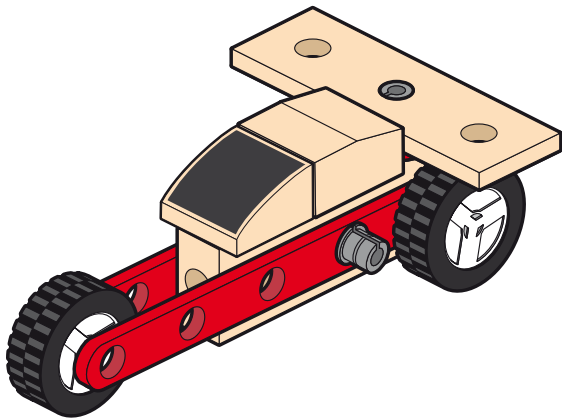
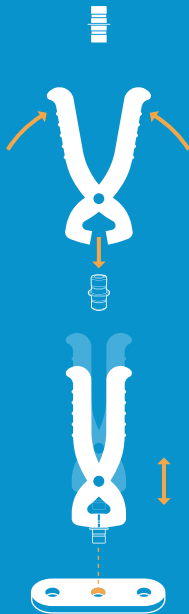
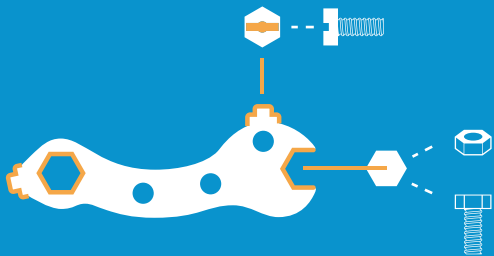


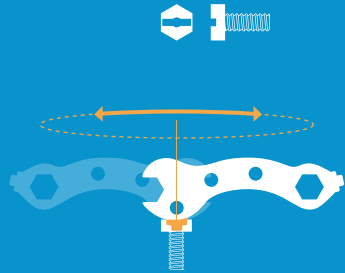
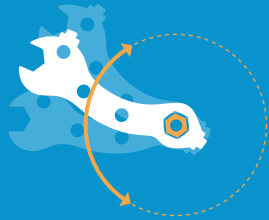
○ Instruction Manual ○

These instructions are available to help inspire your BRIO Builder creations. Please be aware that some designs and colours included in these instructions may differ slightly from what is available in our current assortment of BRIO Builder products.

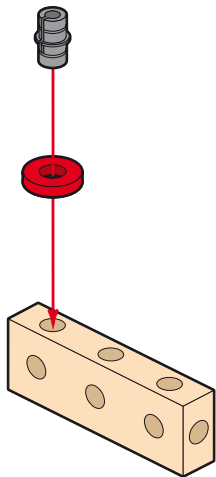
BRIO®



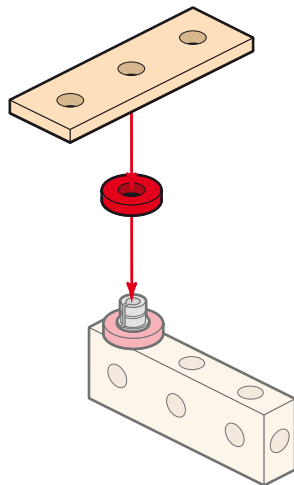




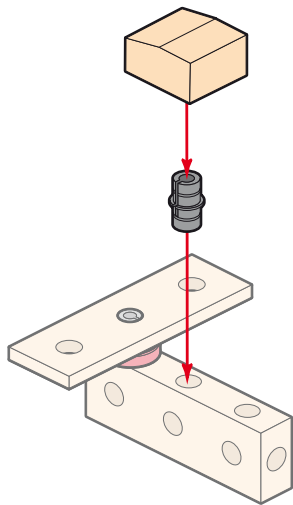
1



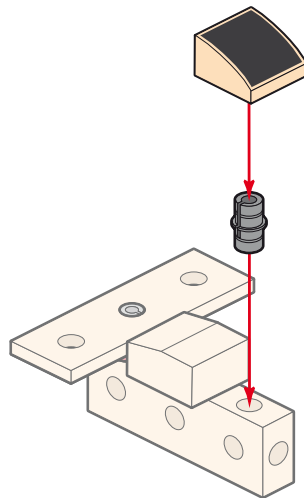
2



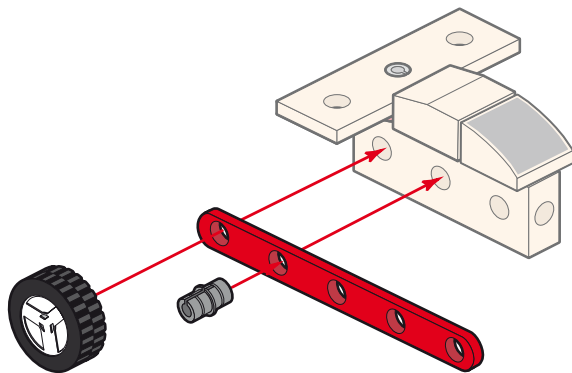
3



4

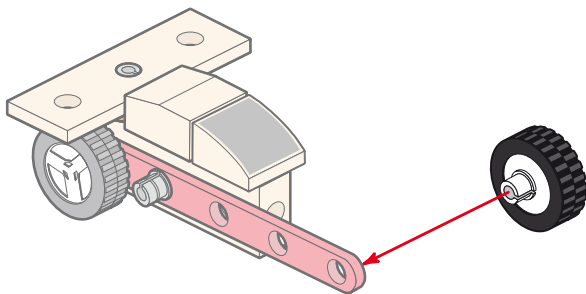


5



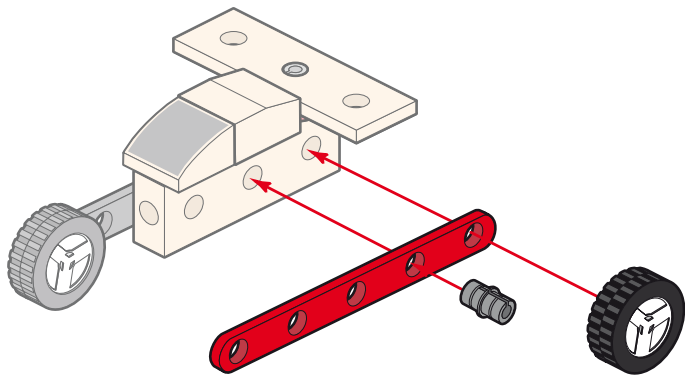
6

6



7

7



8

8

